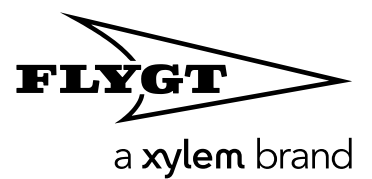




# Pure Performance

FLYGT 1300 SERIES





# Available

EASY TO SELECT, QUICK DELIVERY, THE RIGHT PUMP FOR YOUR NEEDS

# Outstanding Value

**EFFICIENT, POWERFUL**

# Reliable

**SOLIDS HANDLING, CONTINUOUS RUNNING**

# Readily available pure performance pumps

The Flygt™ 1300 series is a range of submersible pumps that deliver pure performance with outstanding value.

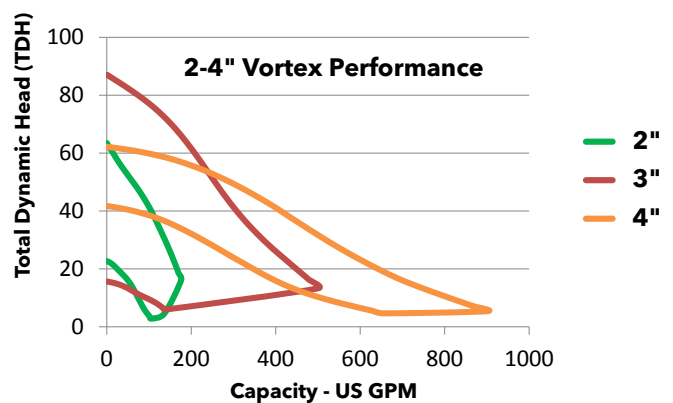
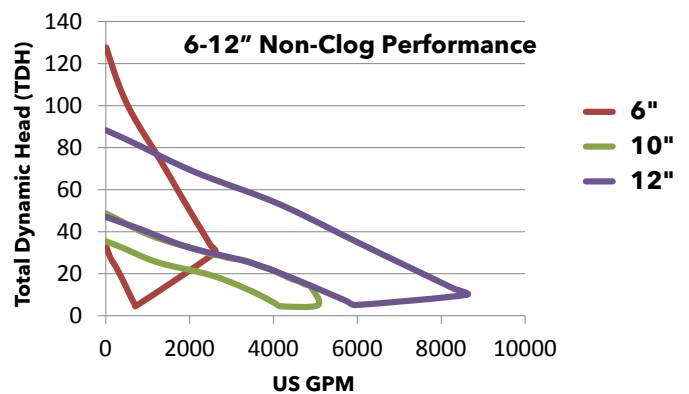
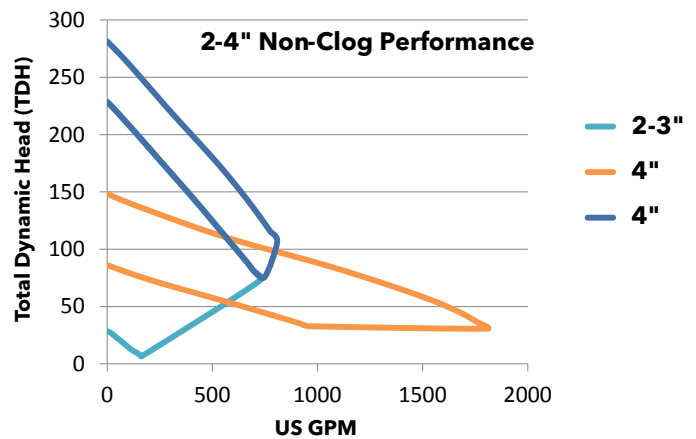
By combining performance and quality in a convenient, economical package the Flygt 1300 series ensures reliability and reduces downtime enabling your operation to run efficiently.

The Flygt 1300 series is based on technology developed and tested in tough municipal environments throughout the world. The hydraulic design of the pumps has been proven to reduce clogging and maintain efficiency when pumping wastewater.

Flygt 1300 series has an efficient air filled motor that is press fit into the motor housing to provide optimal heat transfer and cooling. The robust motor is rated for continuous duty delivering reliable operation in the most demanding applications.

The series is available in a wide range of discharge sizes up to 12" for non-clog and 2-4" in vortex configurations. There are also a wide range of easy to configure installation options to satisfy pump replacement, new install, or temporary installations.

The Flygt 1300 series pumps can be paired with a Flygt Pre-Engineered fiberglass lift station and Flygt monitoring and controls to form a complete worry free system.





# Tough to beat

## **Robust**

Components are made from robust materials for long life and easy maintenance.

## **Powerful**

The motor is specifically designed for reliable operation in submersible applications. It can run continuously without overheating – a true workhorse.

## **Durable**

Heavy-duty bearings with long life provide peace of mind.

## **Environmentally friendly**

The cooling system is designed to use the surrounding media to cool the pump, rather than environmentally hazardous fluids.

## **Safe and straightforward**

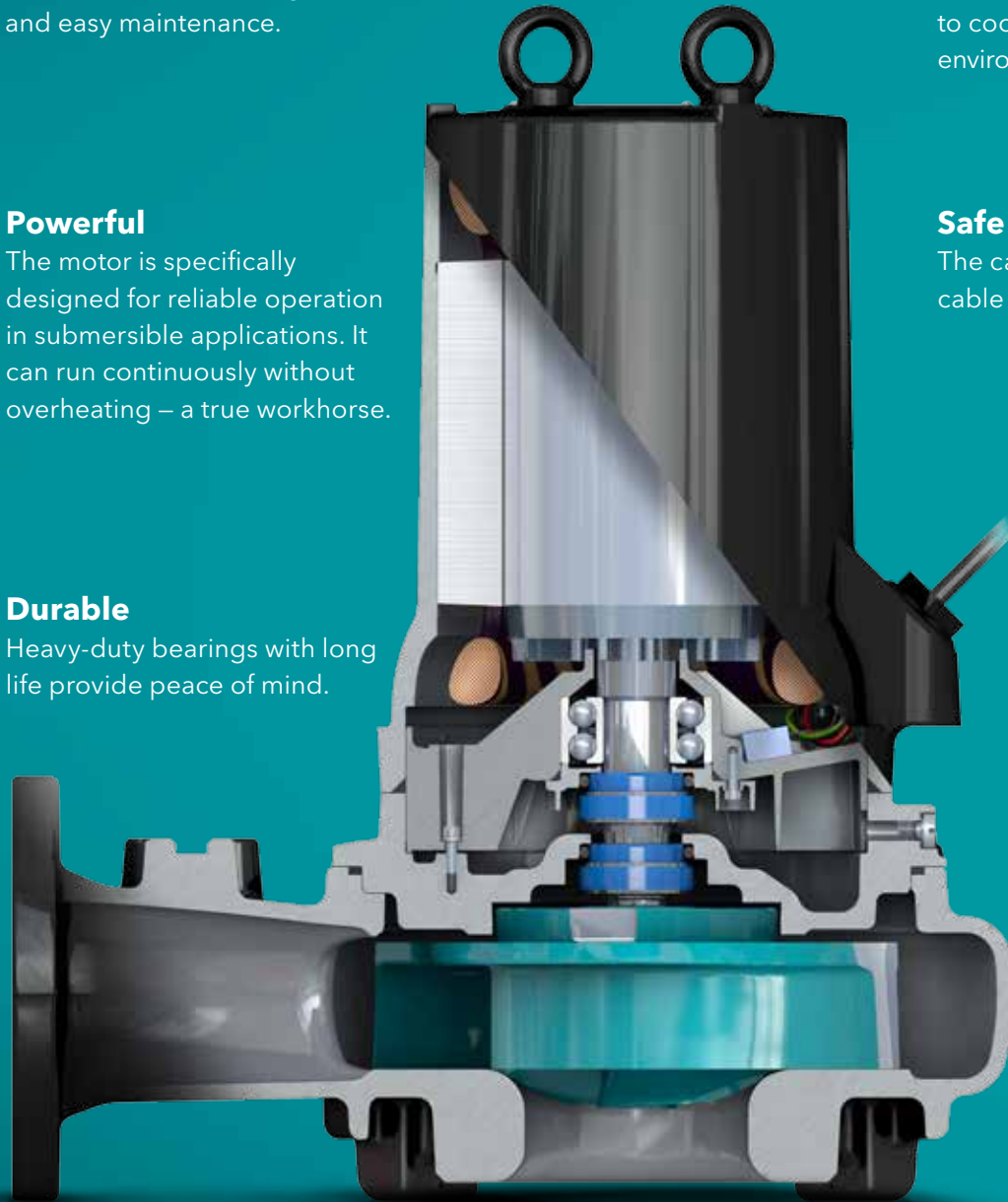
The cable entry prevents both cable strain and leakage.

## **Smooth**

The double mechanical seal provides extra reliability and protects against leakage.

## **Flexible**

Drilled pump housing, ready for any installation method.



# Available | Outstanding Value | Reliable



### 1305 Non-clog

Horsepower: 1.2-1.7 HP  
RPM: 3500  
Max flow: 190 GPM  
Max pressure: 40' TDH  
Outlet 2"



### 1310 Non-clog

Horsepower: 2.4-3.8 HP  
RPM: 3500  
Max flow: 285 GPM  
Max pressure: 85 TDH  
Outlet 2-3"



### 1315 Non-clog

Horsepower: 3.1-6.5 HP  
RPM: 1750/3500  
Max flow: 850 GPM  
Max pressure: 100' TDH  
Outlet 3-4"



### 1320 Non-clog

Horsepower: 4.7-11 HP  
RPM: 1750/3500  
Max flow: 1180 GPM  
Max pressure: 145' TDH  
Outlet 3-4"



### 1325 Non-clog

Horsepower 10.3-20 HP  
RPM: 1750  
Max flow: 1970 GPM  
Max pressure: 80' TDH  
Outlet 3-6"



### 1330 Non-clog

Horsepower: 20-38 HP  
RPM: 3500/1750/1150  
Max flow: 4300 GPM  
Max pressure: 250' TDH  
Outlet 4-10"



### 1335 Non-clog

Horsepower: 30-78 HP  
RPM: 1750/1150  
Max flow: 8200 GPM  
Max pressure: 190' TDH  
Outlet 6-12"

## Application areas

### Municipal:

- Domestic sewage pumping stations
- Wastewater pumping stations
- Retention basins
- Storm water pumping stations



### 1305 Vortex

Horsepower: 1.2-1.7 HP  
RPM: 3500  
Max flow: 130 GPM  
Max pressure: 33' TDH  
Outlet 2"



### 1310 Vortex

Horsepower: 1.6-3.8 HP  
RPM: 3500  
Max flow: 260 GPM  
Max pressure: 61' TDH  
Outlet 2-3"



### 1315 Vortex Horsepower

10.3-20 HP  
RPM: 3500/1750  
Max flow: 650 GPM  
Max pressure: 60' TDH  
Outlet 3-4"

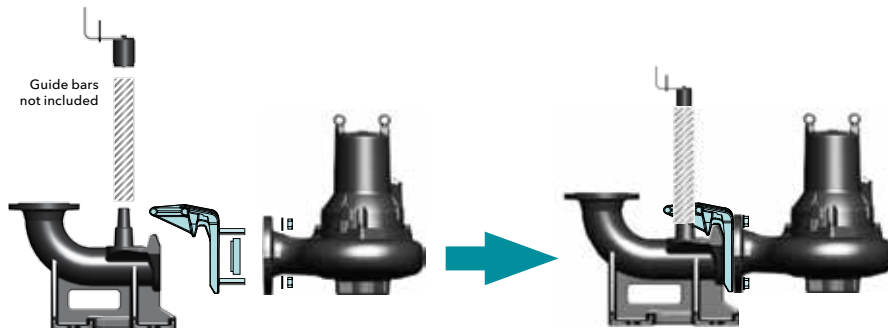


### 1320 Vortex

Horsepower: 6-11 HP  
RPM: 3500/1750  
Max flow: 890 GPM  
Max pressure: 87' TDH  
Outlet 3-4"

# Installation methods and accessory kits

The Flygt 1300 series is designed to fit your needs. You start with a bare pump and order the right kit depending on your desired installation method.



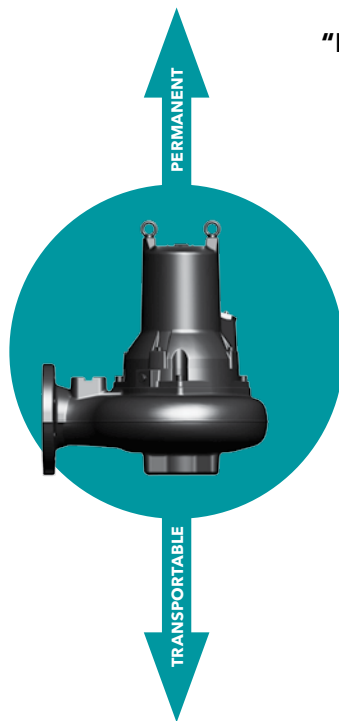
**"P" Installation**

## Wet-well Installation Kit

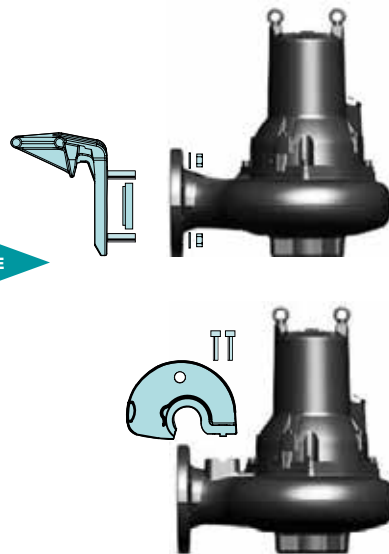
The pump is installed with twin guide bars on a discharge connection.

Kit contents:

- Upper guide bar bracket with bolts
- Discharge connection
- Anchor bolts
- Sliding bracket kit that includes: Sliding bracket, seal ring, studs, nuts, bolts & washers



**UPGRADE**



## Replacement kit

Simple kit to replace an old pump or upgrade to a larger model

Kit contents either:

- Sliding bracket, seal ring, studs, nuts & washers
- Sliding bracket & 4 bolts



**"S" Installation**

## Free-standing kit

Ideal for portability

Kit contents:

- Hose connection with gasket, bolts, nuts & washers
- Stand with screws & washers

# Maintenance & repair

Prolong the life of your pump by utilizing our maintenance and repair kits. We have packaged everything you need into kits, making it even easier for you to overhaul the motor, or replace a cable or impeller.



## **Cable kit**

The cable and cable entry are crucial components to keep the motor running and prevent leakage into the motor housing. The cable kit provides all parts needed to replace a cable and make the job as easy as possible.

Kit contents:

- Cable
- Cable sleeve unit
- Cable end-splice and lug



## **Motor kit**

The Motor kit contains all the critical parts needed to perform an overhaul of the motor.

Kit contents:

- Bearings
- Mechanical seals
- O-rings



## **Impeller kit**

It is important that the impeller is in good condition to ensure reliability, sustained efficiency and consistent performance. The impeller kit contains all parts needed to replace an impeller, including the adjustable sleeve, making it easy to mount the impeller in the optimal position.

Kit contents:

- Impeller
- Impeller sleeve/key
- Screw and washer

# Xylem ['zīləm]

- 1) The tissue in plants that brings water upward from the roots;
- 2) a leading global water technology company.

We're 12,000 people unified in a common purpose: creating innovative solutions to meet our world's water needs. Developing new technologies that will improve the way water is used, conserved, and re-used in the future is central to our work. We move, treat, analyze, and return water to the environment, and we help people use water efficiently, in their homes, buildings, factories and farms. In more than 150 countries, we have strong, long-standing relationships with customers who know us for our powerful combination of leading product brands and applications expertise, backed by a legacy of innovation.

For more information on how Xylem can help you, go to [www.xyleminc.com](http://www.xyleminc.com)



## **BAO BINH TECHNOLOGY CO., LTD**

Address: 816/20 Truong Sa, Ward 14, District 3, HCMC, Vietnam.

Tel. +84 28 38420440 Fax. +84 28 38420460

[www.bbtec.com.vn](http://www.bbtec.com.vn)

# xylem

Let's Solve Water

Xylem, Inc.

14125 South Bridge Circle

Charlotte, NC 28273

Tel 704.409.9700

Fax 704.295.9080

855-XYL-H2O1 (855-995-4261)

[www.xyleminc.com](http://www.xyleminc.com)

Flygt is a trademark of Xylem Inc. or one of its subsidiaries.

© 2017 Xylem, Inc. JANUARY 2017